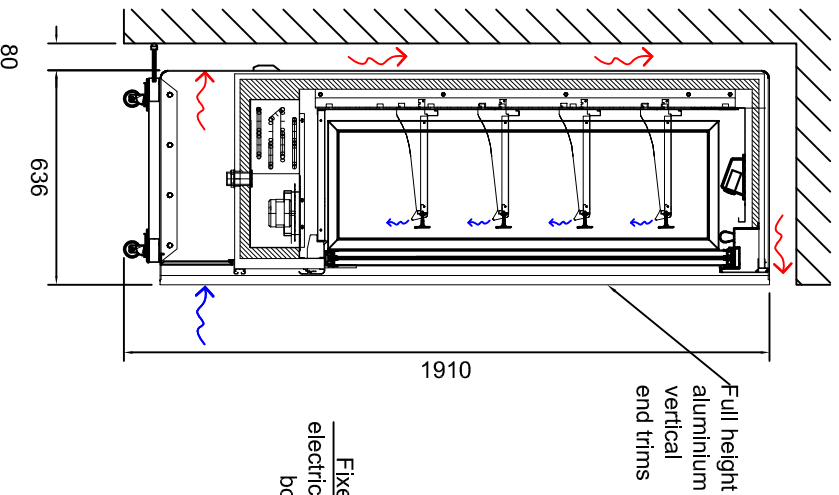
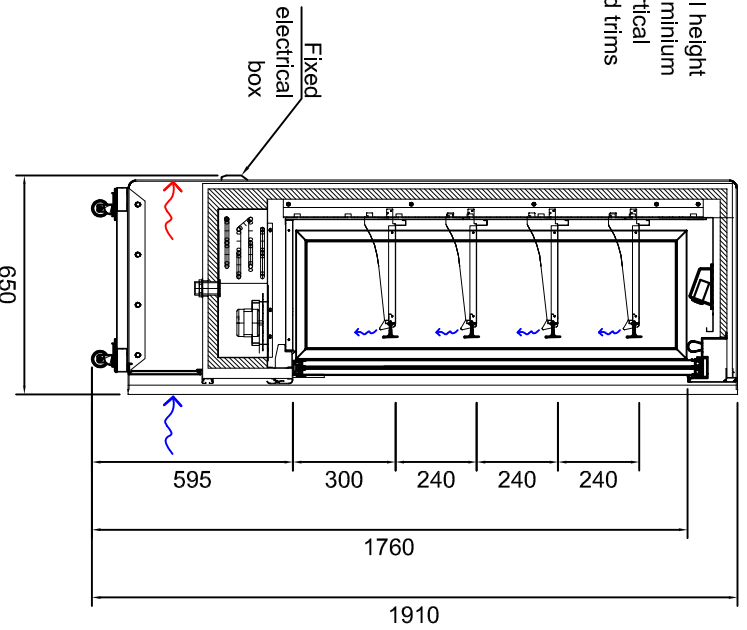


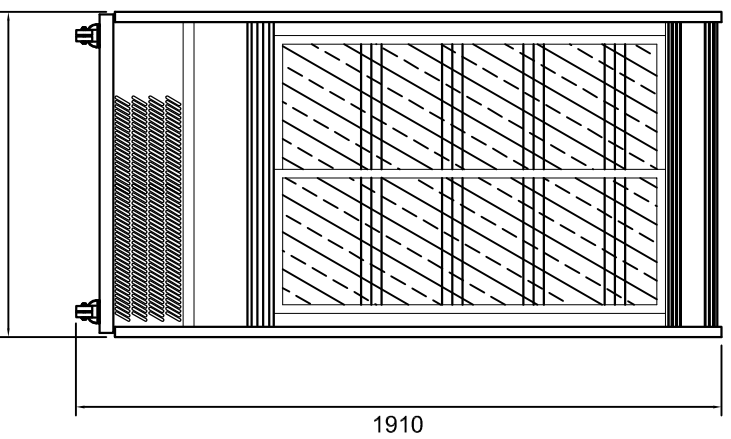
Side Elevation
(Ventilation Space)



Side Elevation
(Shelving Heights)



Front Elevation



WILLIAMS REFRIGERATION RETAIN COPYRIGHT ON THIS DRAWING.
DO NOT SCALE FROM DRAWING. USE MARKED DIMENSIONS.
WILLIAMS REFRIGERATION ARE TO BE NOTIFIED OF ANY DISCREPANCIES IMMEDIATELY.

Multideck requires a minimum ventilation void of 80mm behind and above unit for heat to escape.

Electrical supply: 1 Phase
13amp UK standard plug top.

Overall external dimensions - 960mm wide x 650mm deep x 1910mm high.
Weight 207kg (standard packaging).

Maximum operating ambient temperature +25 deg.c, (climate class 3).

Manufacturing dimensional tolerance +/- 3mm.

Multideck Features	
<input type="checkbox"/>	W White Finish
<input checked="" type="checkbox"/>	S Mirror Stainless Finish
<input checked="" type="checkbox"/>	C Castors
<input type="checkbox"/>	F Feet (For Remote Units Only)
<input type="checkbox"/>	N Nightblind
<input type="checkbox"/>	S Security Shutter
<input checked="" type="checkbox"/>	D Front Door (See options for type)
<input type="checkbox"/>	RE Remote Refrigeration Unit

Only checked features are included

Multideck Options	
<input checked="" type="checkbox"/>	HC Hydrocarbon Refrigerant
<input type="checkbox"/>	HFD Hinged Front Door(s)
<input checked="" type="checkbox"/>	SFD Sliding Front Doors
<input type="checkbox"/>	LOC Front Door Lock(s)
<input type="checkbox"/>	SH Additional Shelf
<input type="checkbox"/>	SNB Snack Basket (Hook On)
<input type="checkbox"/>	TS Tray Slide
<input type="checkbox"/>	SRD Solid Rear Loading Doors
<input type="checkbox"/>	GRD Glass Rear loading Doors
<input checked="" type="checkbox"/>	PG Panoramic Glass Side Panels
<input type="checkbox"/>	MT Meat Temperature
<input type="checkbox"/>	RAL Coloured Finish (RAL)
<input type="checkbox"/>	AV Alternative Voltage

Only checked options are included

Williams Refrigeration Southern
44 Elton Way, Padstock Wood
Kent, TN12 8BE

T: +44 (0) 1892 835325
F: +44 (0) 1892 835355
E: sales@southern.williams-ref.com

Client:	Standard Product
Project:	Standard Product

Title: **G100-SCD SFD HC - G Series Multideck Sliding Front Door Model Mirror Stainless Finish**

Drawn By:	PPR	Date:	23/10/17
DWG No:	G100-SCD SFD HC		
REV:	-		