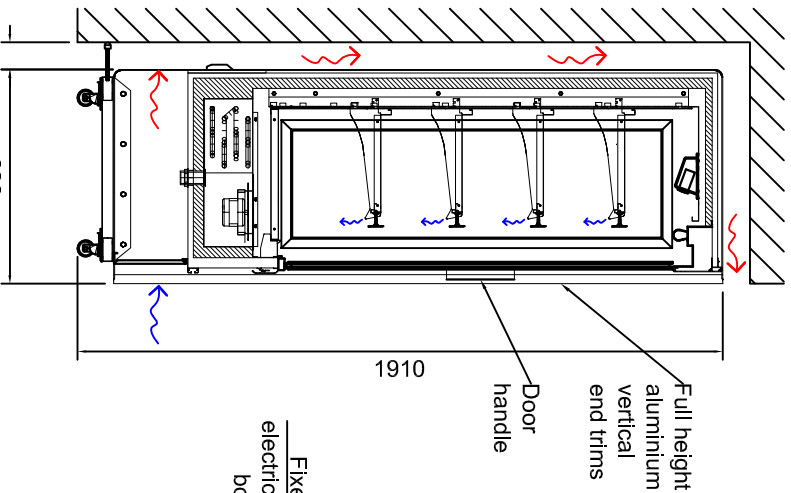
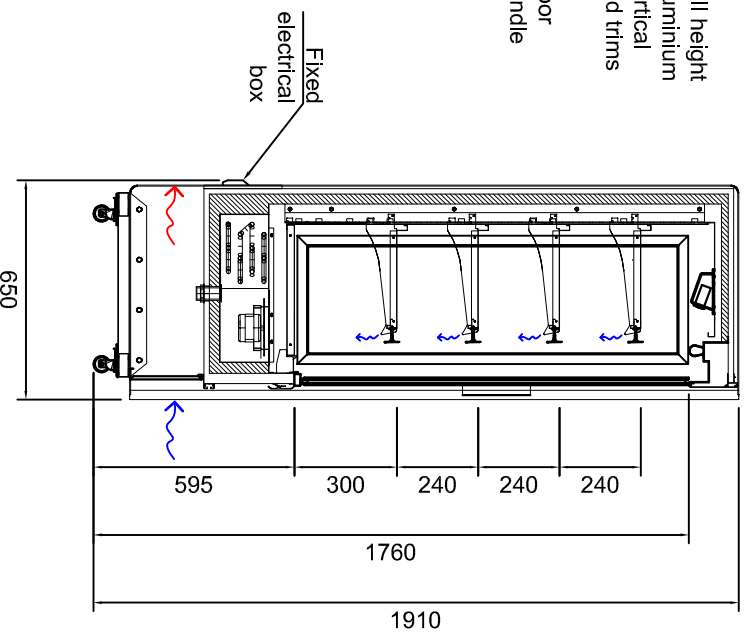


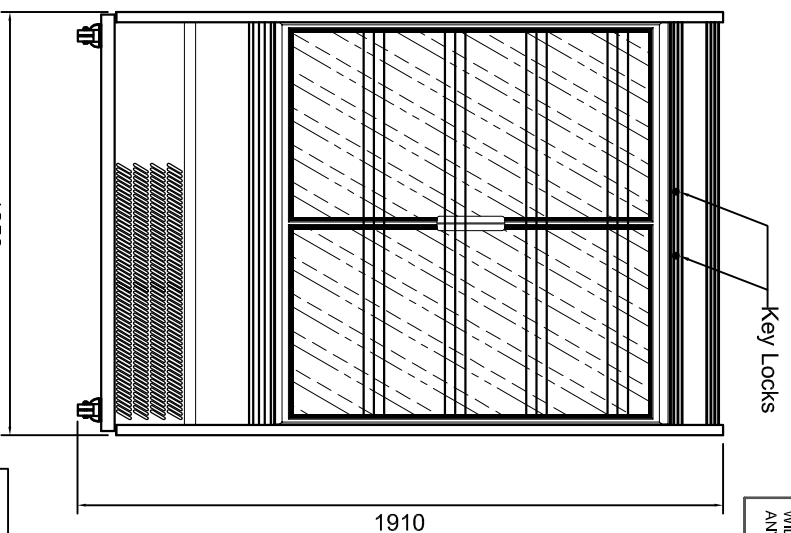
Side Elevation
(Ventilation Space)



Side Elevation
(Shelving Heights)



Front Elevation



WILLIAMS REFRIGERATION RETAIN COPYRIGHT ON THIS DRAWING.
DO NOT SCALE FROM DRAWING. USE MARKED DIMENSIONS.
WILLIAMS REFRIGERATION ARE TO BE NOTIFIED OF ANY DISCREPANCIES IMMEDIATELY.

Multideck requires a minimum ventilation void of 80mm behind and above unit for heat to escape.

Electrical supply: 1 Phase
13amp UK standard plug top.

Overall external dimensions - 1250mm wide x 650mm deep x 1910mm high.
Weight 240kg (standard packaging).

Maximum operating ambient temperature +25 deg.c.
(climate class 3).

Manufacturing dimensional tolerance +/- 3mm.

Multideck Features	
W	White Finish
S	Mirror Stainless Finish
C	Castors
F	Feet (For Remote Units Only)
N	Nightblind
S	Security Shutter
D	Front Door (See options for type)
RE	Remote Refrigeration Unit

Only checked features are included

Multideck Options	
<input checked="" type="checkbox"/>	HC Hydrocarbon Refrigerant
<input checked="" type="checkbox"/>	HFD Hinged Front Door(s)
<input checked="" type="checkbox"/>	SFD Sliding Front Doors
<input checked="" type="checkbox"/>	LOC Front Door Lock(s)
<input type="checkbox"/>	SH Additional Shelf
<input type="checkbox"/>	SNB Snack Basket (Hook On)
<input type="checkbox"/>	TS Tray Slide
<input type="checkbox"/>	SRD Solid Rear Loading Doors
<input type="checkbox"/>	GRD Glass Rear loading Doors
<input checked="" type="checkbox"/>	PG Panoramic Glass Side Panels
<input type="checkbox"/>	MT Meat Temperature
<input type="checkbox"/>	RAL Coloured Finish (RAL)
<input type="checkbox"/>	AV Alternative Voltage

Only checked options are included



Williams Refrigeration Southern
44 Eldon Way, Padstow, Wood
Kent, TN12 8BE

T: +44 (0) 1892 833525
F: +44 (0) 1892 833535
E: ashtnath@williams-southern.co.uk

Client:

Standard Product

Project:

Standard Product

Title:

G125-SCD HFD HC - G Series Multideck
Hinged Front Door Model
Mirror Stainless Finish

Drawn By:

PPR

Date:

23/10/17

DWG No:

G125-SCD HFD HC

REV:

-