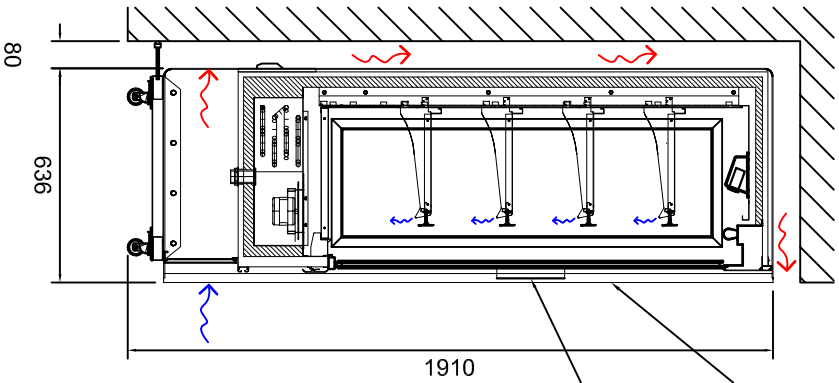
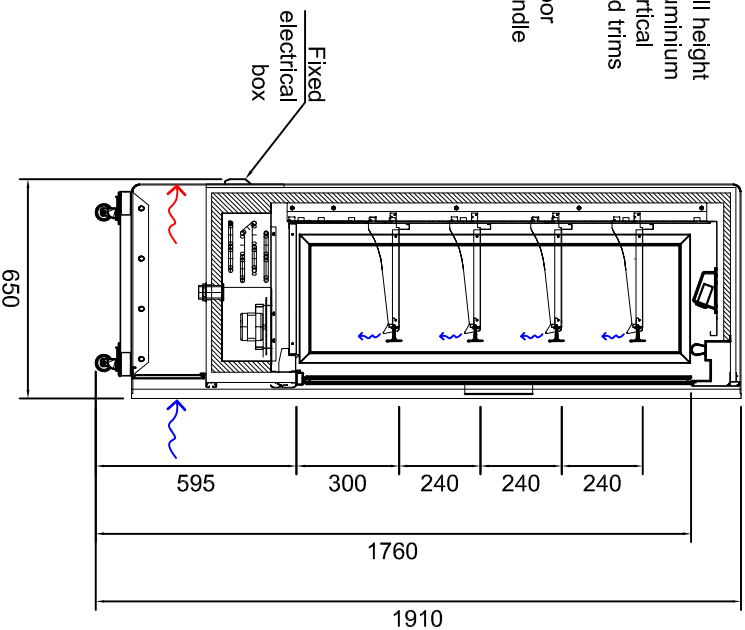


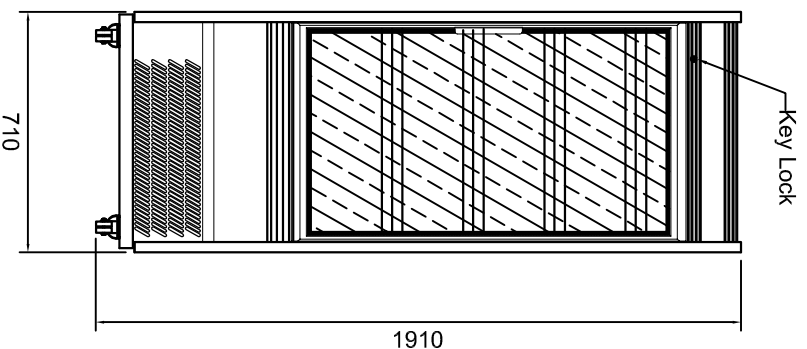
**Side Elevation
(Ventilation Space)**



**Side Elevation
(Shelving Heights)**



Front Elevation



Multideck requires a minimum ventilation void of 80mm behind and above unit for heat to escape.

Electrical supply: 1 Phase 13amp UK standard plug top.

Overall external dimensions - 710mm wide x 650mm deep x 1910mm high.
Weight 174kg (standard packaging).

Maximum operating ambient temperature +25 deg.c, (climate class 3).

Manufacturing dimensional tolerance +/- 3mm.

Multideck Features	
<input type="checkbox"/>	W White Finish
<input checked="" type="checkbox"/>	S Mirror Stainless Finish
<input checked="" type="checkbox"/>	C Castors
<input type="checkbox"/>	F Feel (For Remote Units Only)
<input type="checkbox"/>	N Nightblind
<input type="checkbox"/>	S Security Shutter
<input checked="" type="checkbox"/>	D Front Door (See options for type)
<input type="checkbox"/>	RE Remote Refrigeration Unit

Only checked features are included

Multideck Options	
<input checked="" type="checkbox"/>	HC Hydrocarbon Refrigerant
<input checked="" type="checkbox"/>	HFD Hinged Front Door(s)
<input type="checkbox"/>	SFD Sliding Front Doors
<input checked="" type="checkbox"/>	LOC Front Door Lock(s)
<input type="checkbox"/>	SH Additional Shelf
<input type="checkbox"/>	SNB Snack Basket (Hook On)
<input type="checkbox"/>	TS Tray Slide
<input type="checkbox"/>	SRD Solid Rear Loading Doors
<input checked="" type="checkbox"/>	GRD Glass Rear Loading Doors
<input type="checkbox"/>	PG Panoramic Glass Side Panels
<input type="checkbox"/>	MT Meat Temperature
<input type="checkbox"/>	RAL Coloured Finish (RAL)
<input type="checkbox"/>	AV Alternative Voltage

Only checked options are included

WILLIAMS REFRIGERATION RETAIN COPYRIGHT ON THIS DRAWING.
DO NOT SCALE FROM DRAWING. USE MARKED DIMENSIONS.
WILLIAMS REFRIGERATION ARE TO BE NOTIFIED OF ANY DISCREPANCIES IMMEDIATELY.